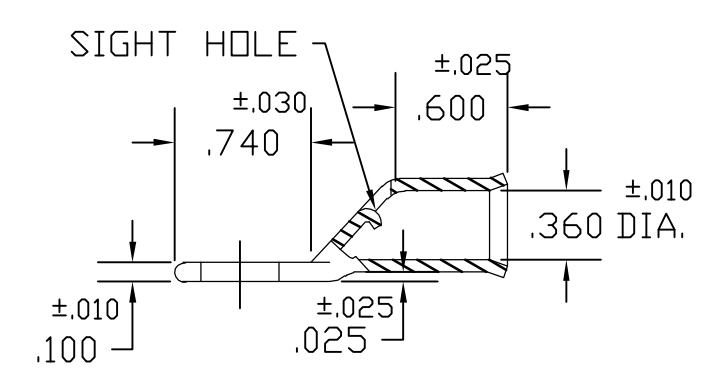
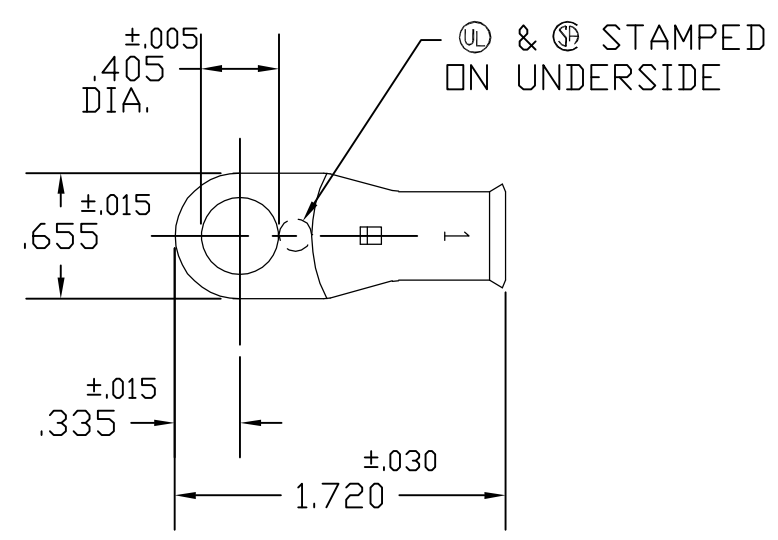


THIS DRAWING IS UNPUBLISHED. RELEASED FOR PUBLICATION
 © COPYRIGHT BY TYCO ELECTRONICS CORPORATION. ALL RIGHTS RESERVED.

LOC	DIST	REVISIONS					
		P	LTR	DESCRIPTION	DATE	DWN	APVD
G	50		A1	REVISED PER ECR-06-010771	05MAY06	HMR	JR



ACTIVE	1381-03	STANDARD	TIN PLATE	1526453-2
ACTIVE	1381-02	STANDARD	PLAIN	1526453-1
STATUS	AET P/N	PACKAGING	FINISH	PART NUMBER

THIS DRAWING IS A CONTROLLED DOCUMENT.		DWN D.A.A 9/29/00	Tyco Electronics Corporation Harrisburg, PA 17105-3608	
DIMENSIONS: INCHES		CHK H.D.F 9/29/00		
		APVD H.D.F 9/29/00	NAME 1 STANDARD TERMINAL W/SIGHT HOLE	
TOLERANCES UNLESS OTHERWISE SPECIFIED:		PRODUCT SPEC	SIZE A3	
0 PLC ± -		APPLICATION SPEC	CAGE CODE 00779	DRAWING NO C-1526453
1 PLC ± -		WEIGHT	RESTRICTED TO	
2 PLC ± -		CUSTOMER DRAWING	SCALE 1:1	
3 PLC ± -			SHEET 1 OF 1	
4 PLC ± -			REV A1	
ANGLES ± -				
FINISH				
MATERIAL COPPER ASTM B-152				